

# 850S

## S Series: Schlage C Keyway Deadlatching Drawer Lock



### SPECIFICATIONS

**Rekeyable:** Easily rekeyable via set-screw cylinder removal mechanism

**U.S. Patent Nos:** 4,899,563; 4,920,774; 5,657,652

**Body:** Zinc die cast

**Cylinder length:** 1-1/8" or 1-3/8"

**Barrel diameter:** 1-1/8"

**Finish:** 26D or US3

**Packaged:** Packed 10 per box

### INCLUDED ACCESSORIES

**For 1-1/8" barrel length locks:**

10-350 plastic spacers (qty 2)

850-210 matching strike

**For 1-3/8" barrel length locks:**

850-211 matching strike

### 850S KEYING INFORMATION

**Keying:** Can be keyed together with other Schlage C Keyway locks

**Keyway:** Schlage C keyway

**Keys:** Includes 2 keys per lock

**Cylinder:** Solid brass, pin tumbler

**Stock keying:** KD/KA - 5 pin standard

**Stock KA#:** 101, 102

**Masterkeying:** 5 pin standard, 6-pin available

**Grand masterkeying:** Available

**Keyblank 5-pin:** KBSC-5

**Keyblank 6-pin:** KBSC-6

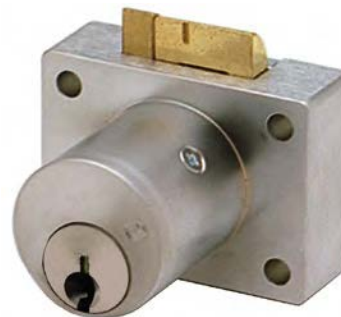
### OPTIONAL ACCESSORIES

**Spacers:** 10-350 spacer (1/8" thick), 10-348 spacer (1/4" thick), 10-349 spacer (1/2" thick)

**Trim ring:** TR78 trim ring

**Cylinder:** 78-201 Series (page 54)

**Through-bolt hardware:** ETS1 trim plate, ETS1-PL trim pull and ETST1 template



US26D finish



US3 finish

### INCLUDED ACCESSORIES



10-350 internal spacers  
For a flush fit on varying material thicknesses



850-210 / 850-211  
lip strike

# 850S

## S Series: Schlage C Keyway Deadlatching Drawer Lock

**OPTIONAL ACCESSORIES** - See our website for a complete list of optional components.

### Internal Plastic Spacers

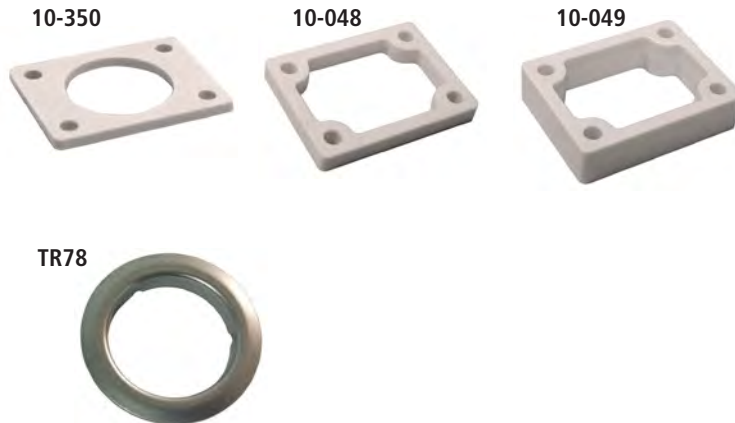
- 10-350 1/8" thick plastic spacers
- 10-348 1/4" thick plastic spacers
- 10-349 1/2" thick plastic spacers

### Strikes

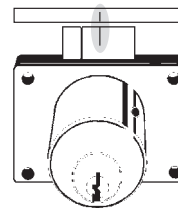
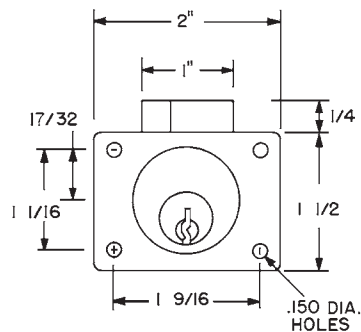
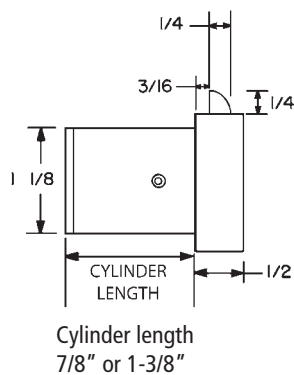
- Plastic bar strikes: 10-054, 10-055, 10-057, 10-058. Metal strikes: 10-056 12-1, 12-2, 12-3, 12-4, 999-STRIKE, L78ST-1, L78ST-2

### Trim Ring

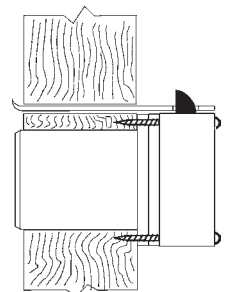
- TR78 trim ring



## DIMENSIONS | TYPICAL INSTALLATION



Note: Line up center mark on latch with center mark on strike for correct strike placement.



Note: Strike must be lined up so that dead lock portion of latch is depressed when drawer is closed.